

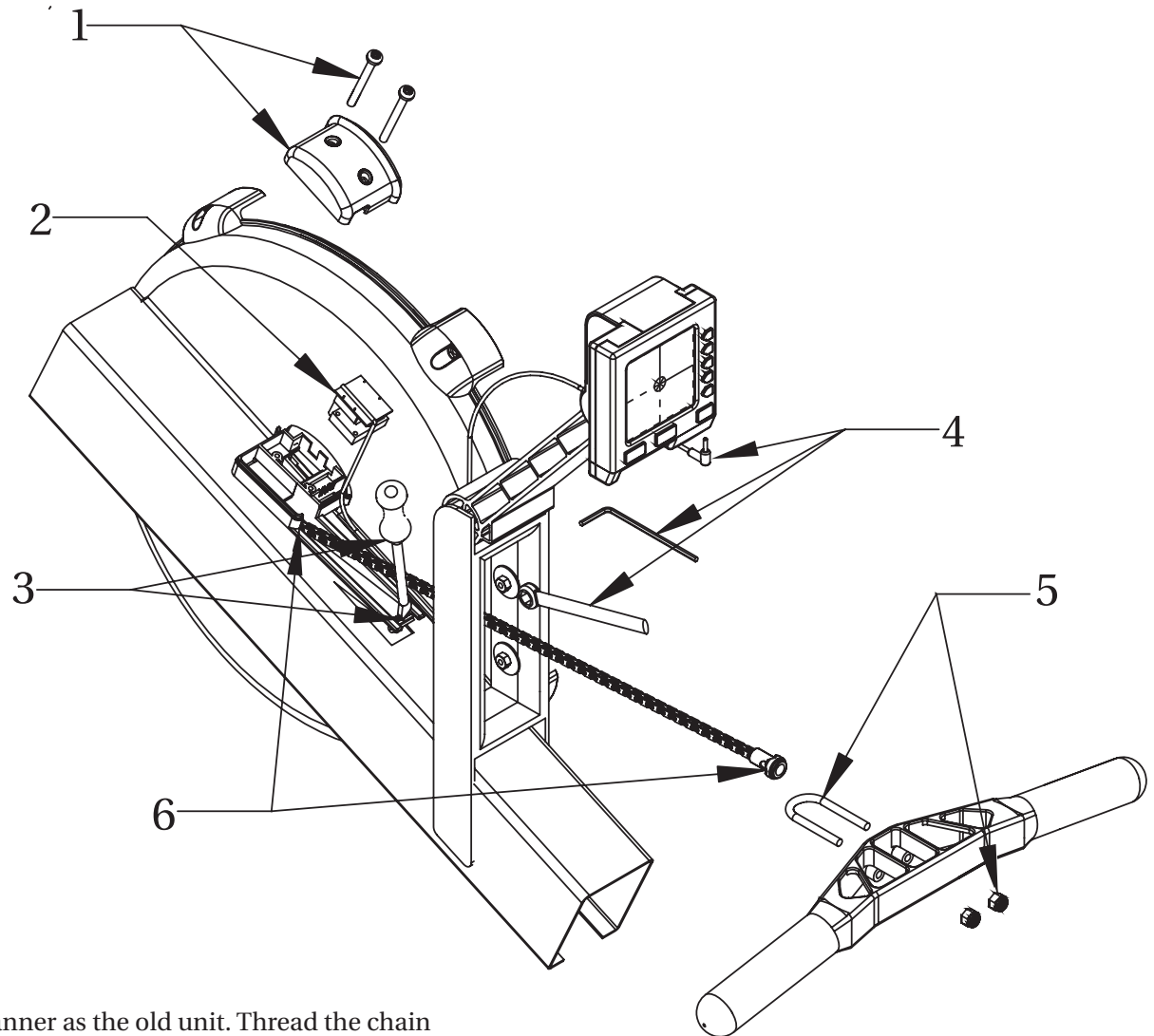
MODEL D GENERATOR COIL REPLACEMENT

Materials Needed

- flat blade screwdriver
- phillips screwdriver
- 7/16" (11 mm) or adjustable wrench
- 5/32" (4 mm) allen wrench

Procedure

- 1) Remove two generator cover screws with the phillips screwdriver. Remove generator cover.
- 2) Note wire routing before removing generator coil unit from the generator base.
- 3) Using the flat blade screwdriver, pry the generator base catch open while pushing upward from inside the frame. Remove generator base.
- 4) Using the allen wrench and 7/16" wrench, loosen the two chain guide fasteners. Unplug the generator wire from the monitor and remove wire and generator coil unit.
- 5) Using the 7/16" wrench, remove the two nuts from the handle U-bolt. Remove handle and U-bolt from the chain.
- 6) Thread chain out through the generator base. **Note:** This will be a tight fit.
- 7) Disassemble the new generator unit in the same manner as the old unit. Thread the chain through the new generator base and snap the base into place in the frame. Reinstall handle back onto the chain. **BE SURE HANDLE NUTS ARE TIGHT!** Install the new generator coil back into the base and route the wire back up to the monitor. Tighten chain guide fasteners.



concept2.com
800.245.5676 (U.S. & Canada only)

