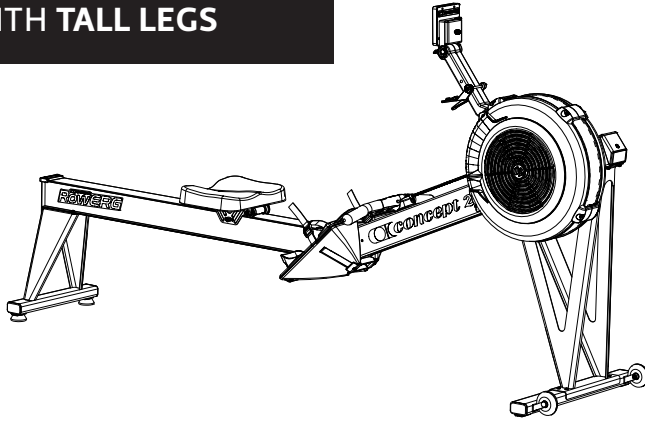


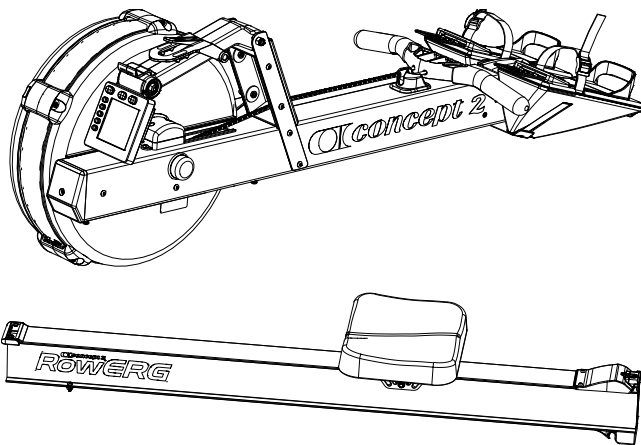
ROWERG WITH TALL LEGS ASSEMBLY - PAGE 2
TALL LEGS RETROFIT - PAGE 4

WITH TALL LEGS



Weight: 68 lb (31 kg)
 Dimensions: 8 ft x 2 ft (244 cm x 61 cm)
 Space Required for use: 9 ft x 4 ft (274 cm x 122 cm)
 Weight Capacity: 500 lb (227 kg) as tested by Concept2*
 *300 lb (135 kg) as tested per European Stationary Fitness
 Equipment Testing Standard EN 20957-7

RowErg Assembly
BOX 1



RowErg Assembly & Tall Legs Retrofit
BOX 2



T-27 DRIVER
 PN 2230

Not to scale



x 8
 3/4" (1.9 cm)
 PN 2233

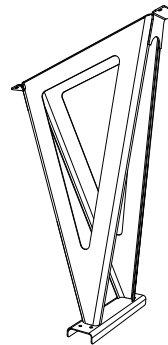


* x 4
 5/8" (1.58 cm)
 PN 2395

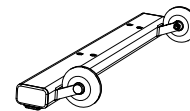


* x 4
 PN 2394

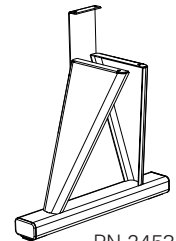
Note: There will be two remaining PN 2395 and two remaining PN 2394 after completing RowErg Assembly. **ALL** hardware will be used for Tall Legs Retrofit.



PN 7109



PN 2960

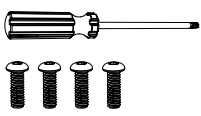


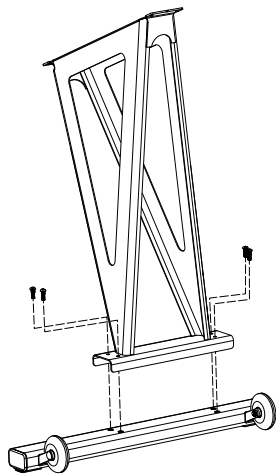
PN 2453



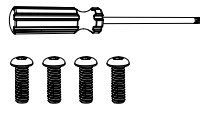
Questions? Comments? Problems?

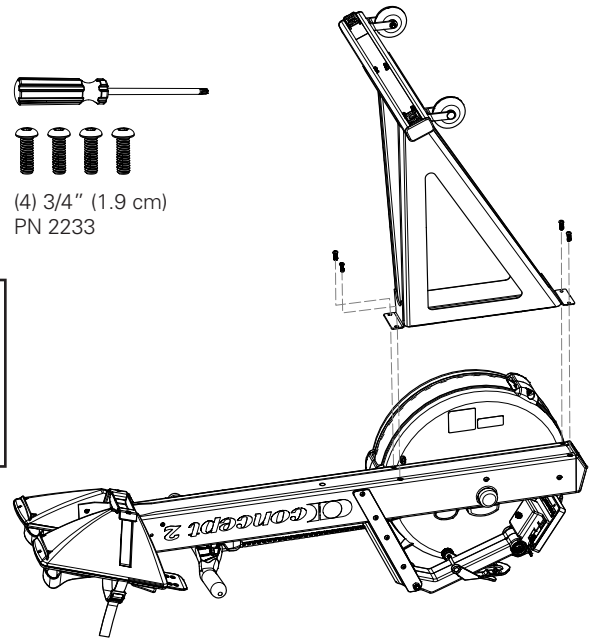
Contact Concept2 directly at 800.245.5676 (US and Canada)
 Or visit us online: concept2.com


- 1**
- 
- (4) 3/4" (1.9 cm)
PN 2233

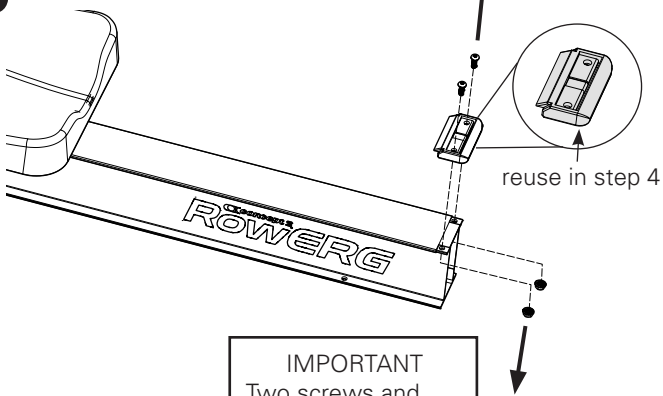


ASSEMBLY TIP
Do not fully tighten screws until all screws are in place.

- 2**
- 
- (4) 3/4" (1.9 cm)
PN 2233

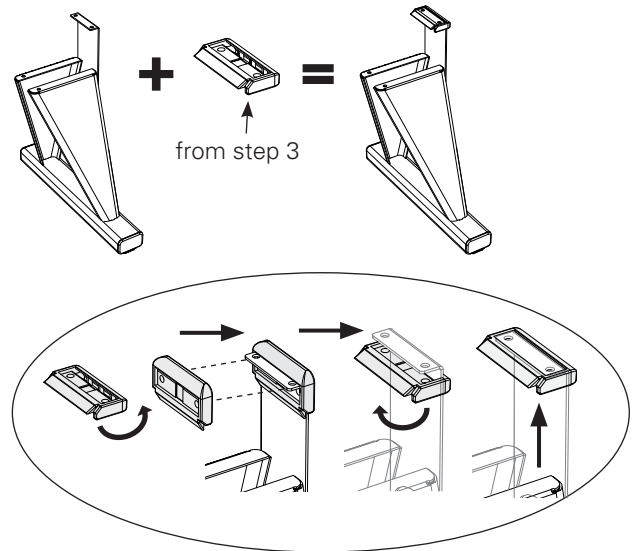


- 3**
- 

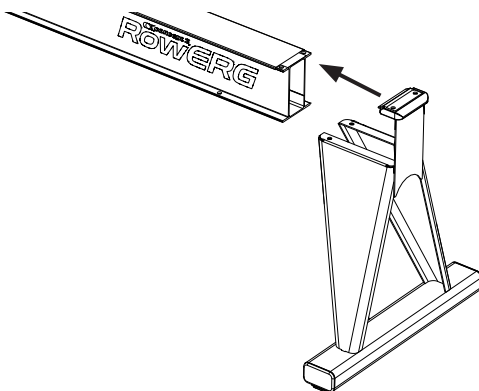


IMPORTANT
Two screws and two nuts will be reinstalled in step 6.

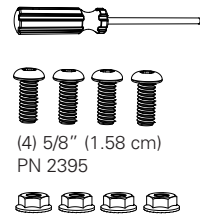
- 4**

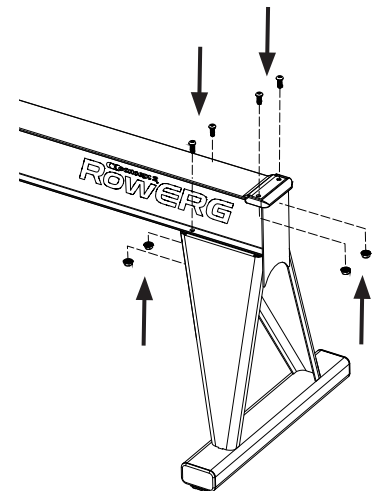


- 5**

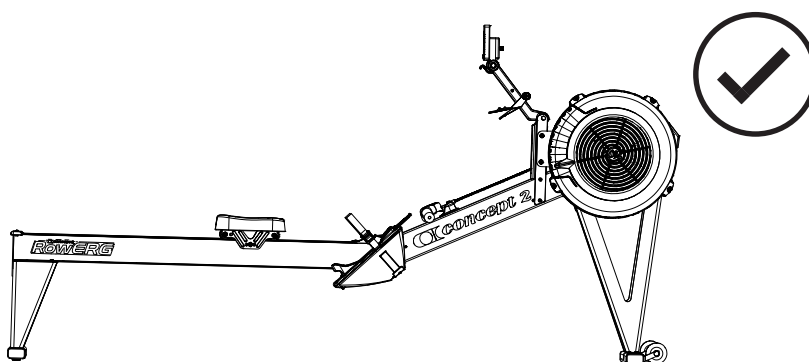
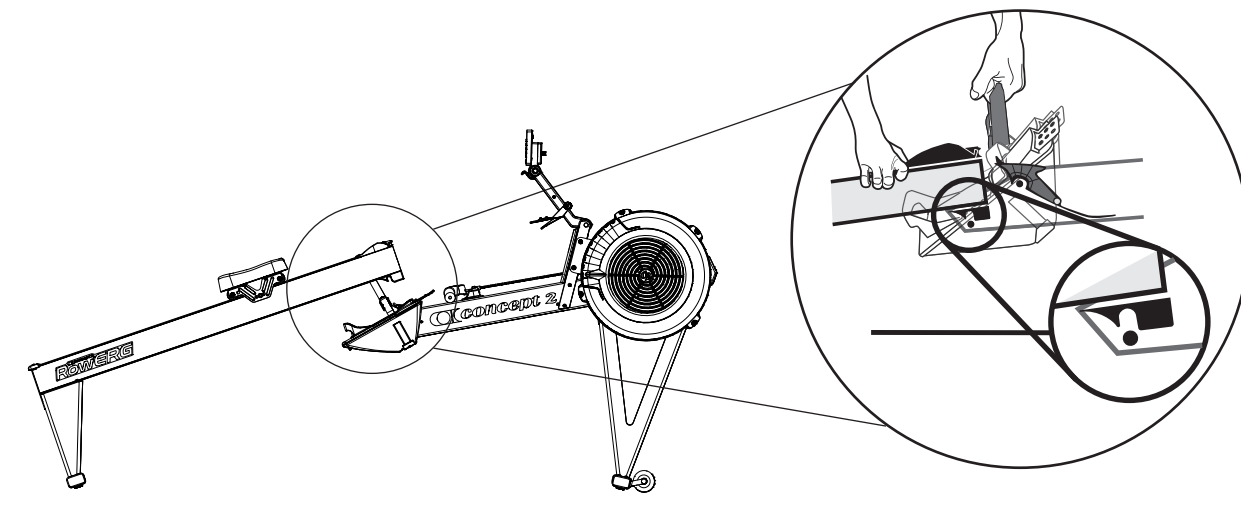


- 6**

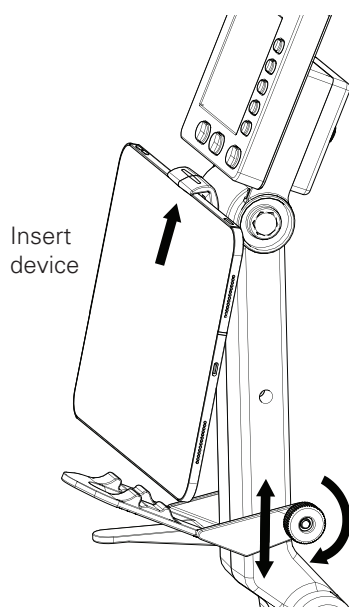
- 
- (4) 5/8" (1.58 cm)
PN 2395
- (4) PN 2394



7

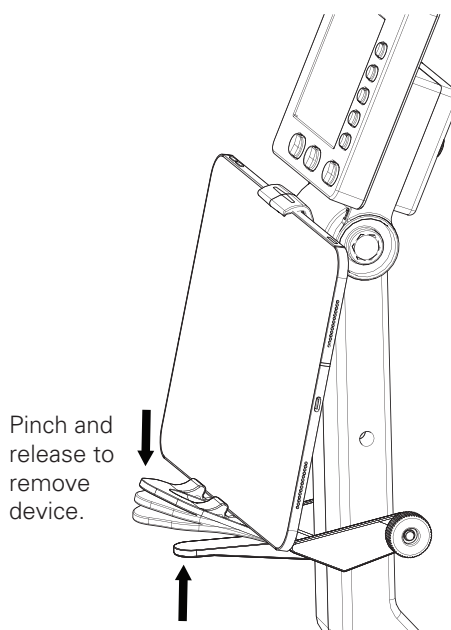


How to Use the Device Holder




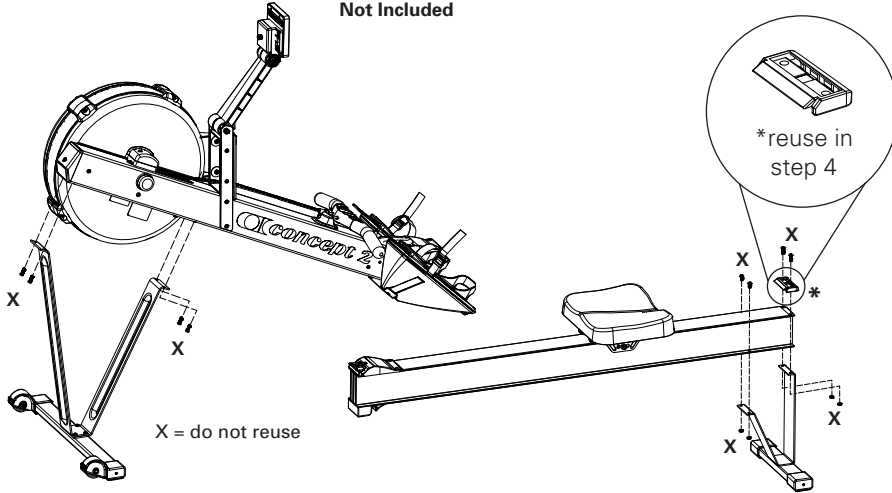
Loosen knob to slide lower bracket up or down.

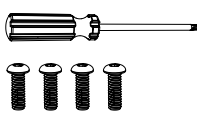
Important:
Tighten knob when device is in place.



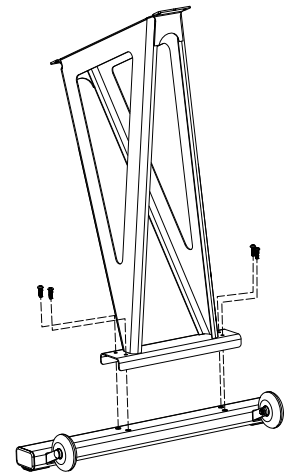
TALL LEGS RETROFIT INSTRUCTIONS (Refer to page 1, "Box 2" for parts list)

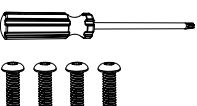
- 1** 
 7/16" Socket Wrench
 Not Included



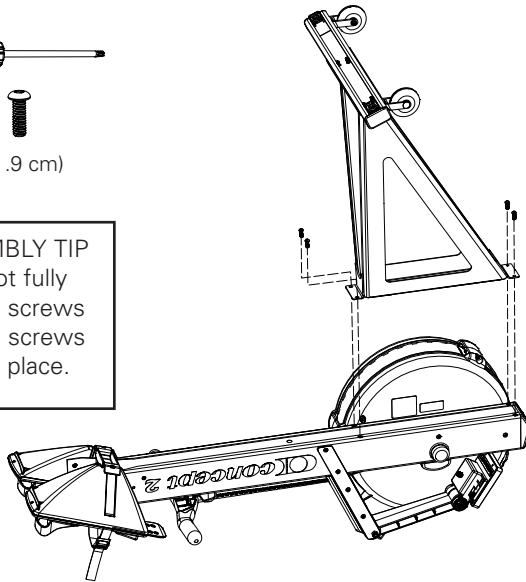
- 2** 
 (4) 3/4" (1.9 cm)
 PN 2233

ASSEMBLY TIP
 Do not fully tighten screws until all screws are in place.

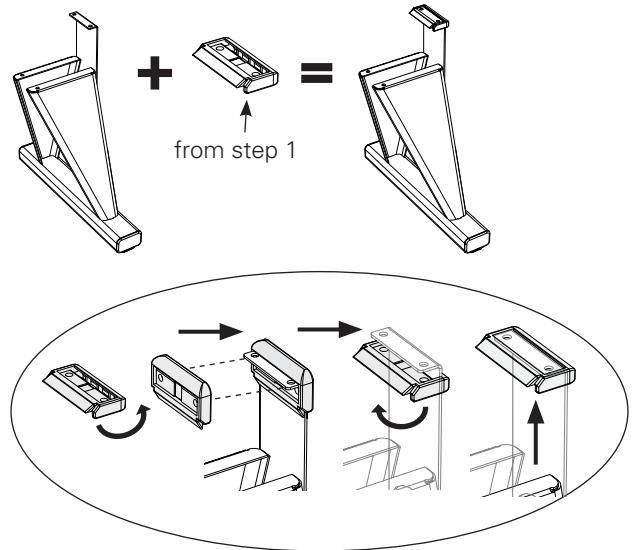


- 3** 
 (4) 3/4" (1.9 cm)
 PN 2233

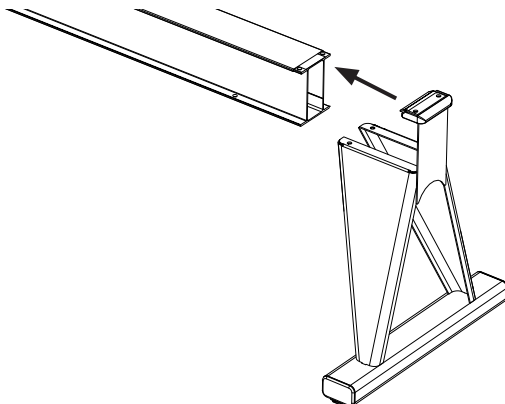
ASSEMBLY TIP
 Do not fully tighten screws until all screws are in place.



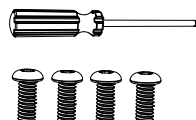

4



5



6

- 
 (4) 5/8" (1.58 cm)
 PN 2395
 
 (4) PN 2394

